



EVOTECH®
P E R F O R M A N C E

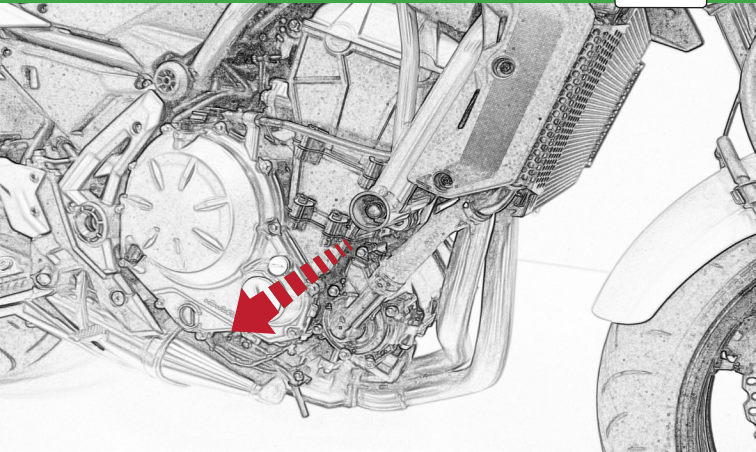
Kawasaki Z650
Crash Protection

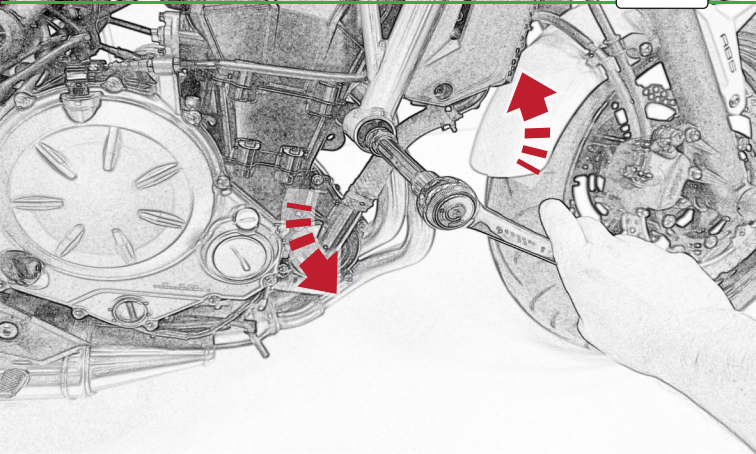
Installation Instructions

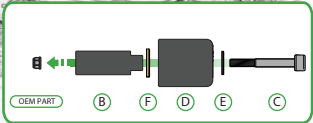
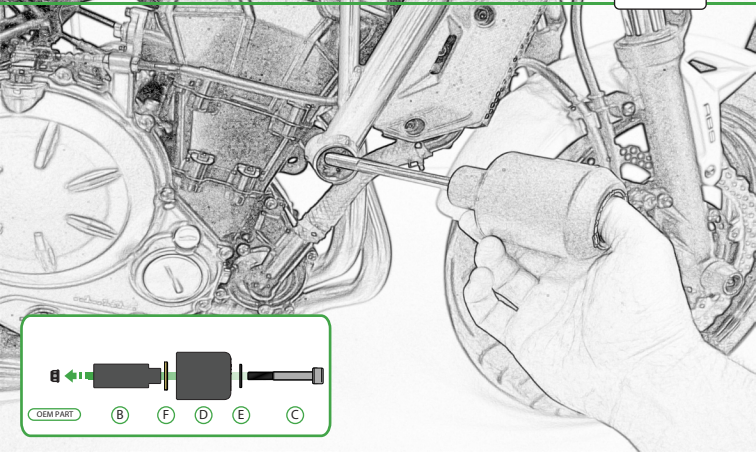
Product No: PRN013644

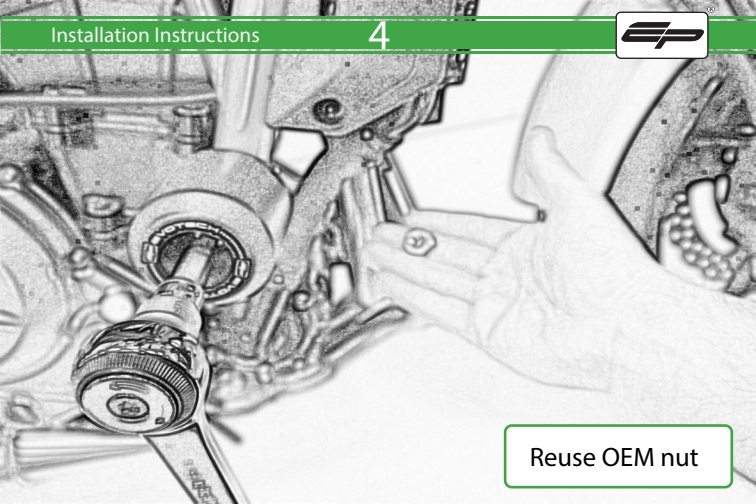
Kit Contents

- Ⓐ 1 x Long Spacer L/H Side
- Ⓑ 1 x Short Spacer R/H Side
- Ⓒ 2 x M10 x 190 Caphead
- Ⓓ 2 x Bobbin Head
- Ⓔ 2 x M10 Washer
- Ⓕ 2 x Polyurathane Washer

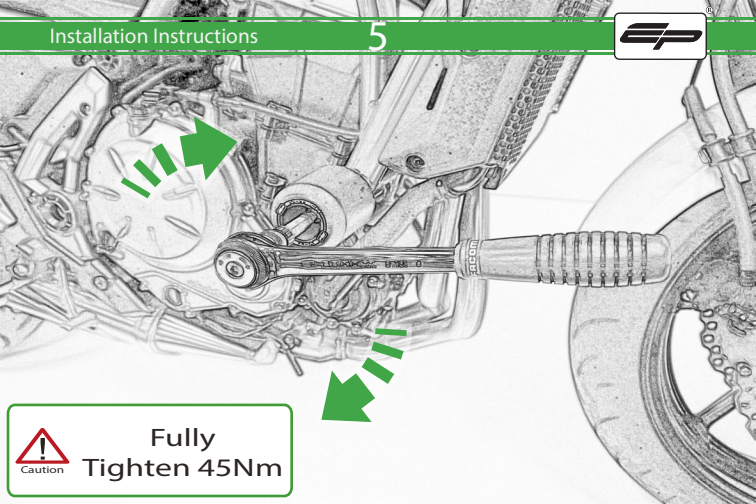








Reuse OEM nut

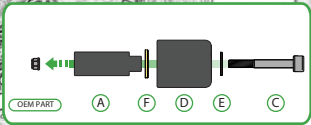
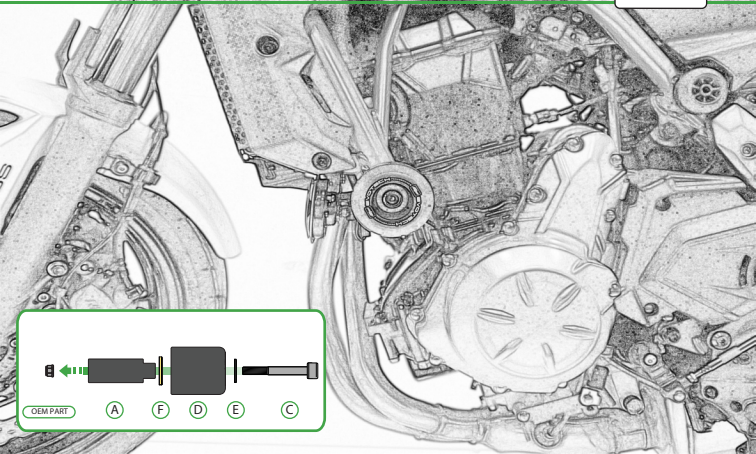


Caution

Fully
Tighten 45Nm



Repeat stages
1 - 5 for the left
hand side





ESSENTIAL CHECKS



It is recommended that periodic inspections are made to ensure that all bolts are tightened to the specified torque settings.

Should the bike be involved in an accident a thorough inspection should be made and any components that have taken an impact, no matter how small, be replaced